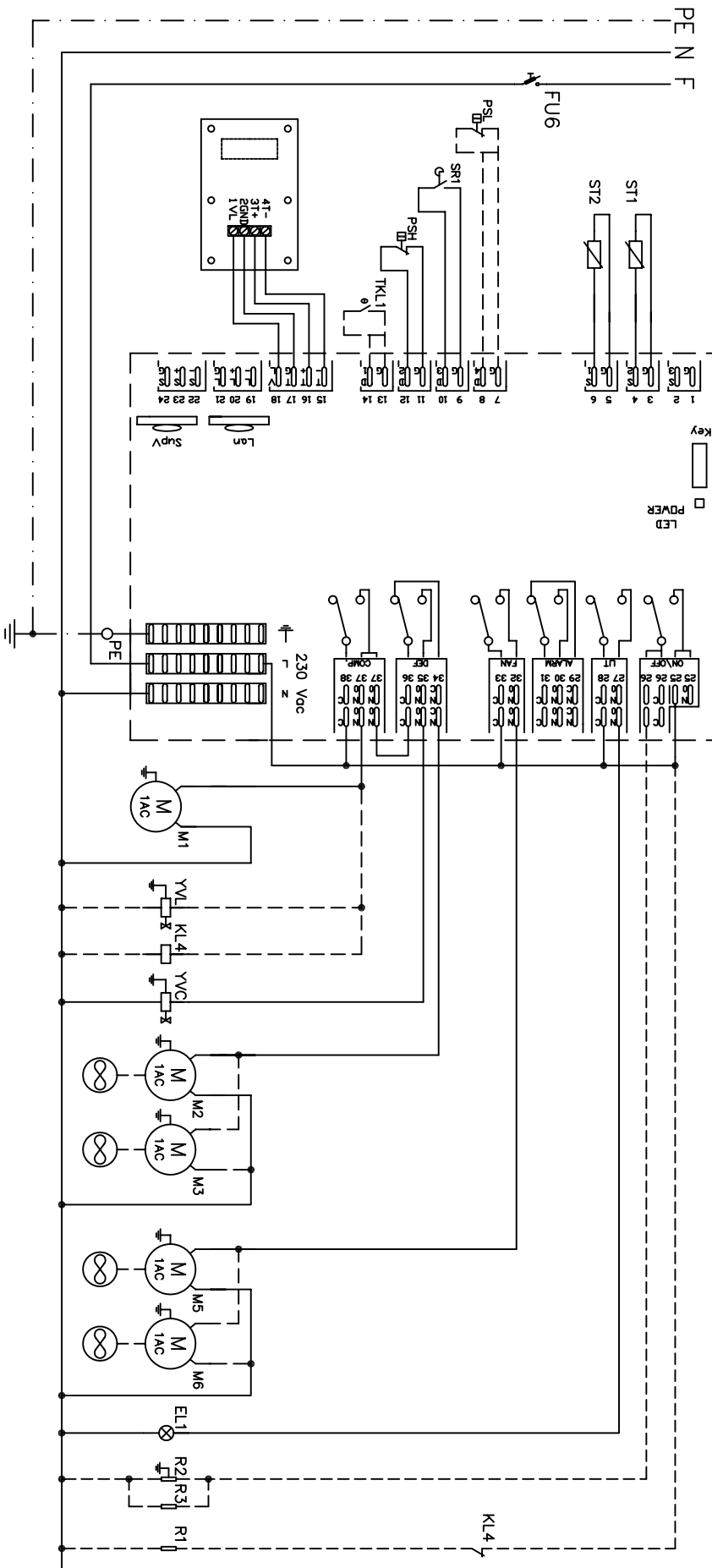


IN 230V~50-60HZ+PE



LEGENDA:  
KL4=RELE' RESISTENZA CARTER

LEGENDA:  
KL4=CRANKCASE HEATER RELAY

- FDR MODELS:
- SFM003 --- 1-SFM006 --- 1-SFM009 --- 1-SFM016 --- 1
  - SFL003 --- 1-SFL006 --- 1-SFL009 --- 1
  - RTM003 --- 1-RTM006 --- 1-RTM009 --- 1-RTM016 --- 1
  - RTL003 --- 1-RTL006 --- 1-RTL009 --- 1
  - PTM003 --- 1-PTM006 --- 1-PTM009 --- 1-PTM016 --- 1
  - PTL003 --- 1-PTL006 --- 1-PTL009 --- 1

- FDR MODELS:
- FAM003 --- 1-FAM006 --- 1-FAM007 --- 1-FAM009 --- 1
  - FAM012 --- 1-FAM016 --- 1
  - FAL003 --- 1-FAL006 --- 1-FAL009 --- 1
  - FAL012 --- 1

- SFM003 --- 5-SFM006 --- 5-SFM009 --- 5-SFM016 --- 5
- SFL003 --- 5-SFL006 --- 5-SFL009 --- 5
- RTM003 --- 5-RTM006 --- 5-RTM009 --- 5-RTM016 --- 5
- RTL003 --- 5-RTL006 --- 5-RTL009 --- 5
- PTM003 --- 5-PTM006 --- 5-PTM009 --- 5
- PTL003 --- 5-PTL006 --- 5

NR REV.	DATA	TIPO DI MODIFICA	FIRMA	APPROVATO
00	06/10/03	EMISSIONE DISEGNO	SPARAVENTI	FERRI
05	17/02/06	MODIFICATO SIMBOLO COMPRESSORE	FOSCHI	SPARAVENTI
06	27/09/06	AGGIORNAMENTO NOMENCLATURE	COLOTTI	SPARAVENTI
07	03/03/08	PREDISPOSIZIONE RESISTENZA CARTER	MACCI	MACCI

TOLLERANZE GENERALI:  
 TUBAZIONI: ±5mm  
 BASI: ±1mm  
 POSIZIONI: ±1mm  
 CAVI: -10mm +50mm

DENOMINAZIONE: SCHEMA ELETTRICO BLOCKSYSTEM 1-2x250  
 SBRINAMENTO A GAS CALDO MONOFASE 230/1/50-60HZ  
 C/PREDISPOSIZIONE RESISTENZA CARTER

DISEGNATORE: SPARAVENTI  
 CODICE: SES0023  
 NUMERO INTERNO:  
 DISEGNO:

F.D.I. MOD 044 REV/01 Del 05/12/95